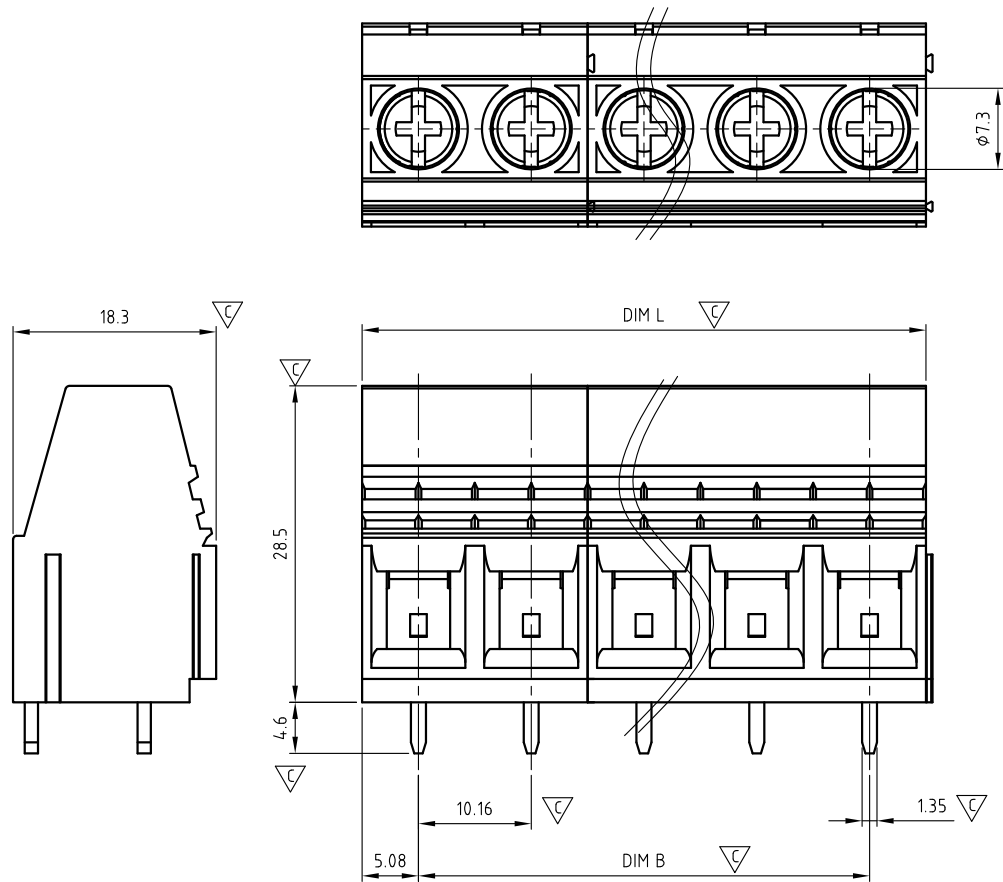


Transfer or duplication of this document as well as the utilisation or communication of its content are not permitted unless express consent is granted. Violations give rise to claims for damages. All rights reserved in case of patent, utility model or design patent registrations.



Technical data

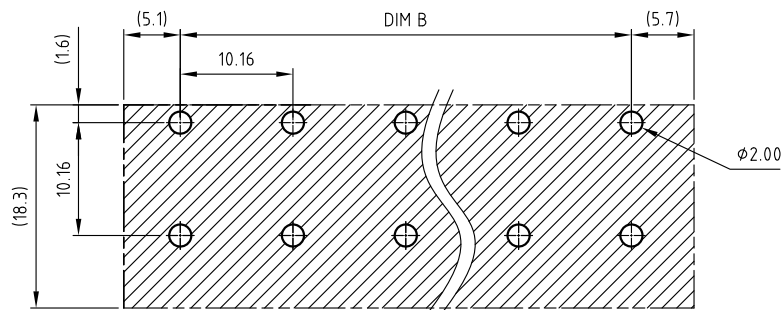
- 1.Nominal voltage: B 300V/65A /D 600V 5A
PITCH:10.16mm
- 2.Connection capacity:
AWG 22-6
- 3.Insulation Withstanding Voltage:
AC 2200V/MIN
- 4.Insulation Resistance:
1000MΩ or more at DC500V
- 5.Tightening torque:
15.6Lb-In (18.0kgf.cm/1.8N.m)
- 6.Screw thread: M4.5
- 7.Stripping length: 10-11mm
- 8.Using temperature range:-40°C~115°C
Soldering temperature:250±10°C /5s
- 9.Undimensioned Tolerances:

| | | |
|---------------------------|----------------|----------------|
| Dim.L=P×10.16 | | |
| Dim.B=(P-1)×10.16 | | |
| P= Number of poles(02-10) | | |
| 0-30mm | Dim B ±0.15 | Dim L ±0.20 |
| over 30mm-60mm | ±0.20 | ±0.25 |
| over 60mm-90mm | ±0.25 | ±0.30 |
| over 90mm | ±0.30 | ±0.40 |

- 10.Safety approval:
- 11.RoHS Compliance
- 12.Critical dimension: ∇

FSHM116 xx x 11K

- ① Poles 2P-10P
- ② Color
5 Green G Plae grey 8 Dark grey....



P.C.B. LAYOUT

| | | | | |
|-----|----------|-------------|------|---------|
| B | ∇ | 补充重点尺寸标示 | WF.Z | 5/18'23 |
| REV | SIGN | DESCRIPTION | CHK. | DATE |

| 4 | SCREW | STEEL | ZN PLATED | P |
|----------|--------------|---|---------------------|--|
| 3 | CAGE | STEEL | t=1.0mm, ZN PLATED | P |
| 2 | CONTACT | BRASS | t=1.2mm, TIN PLATED | P |
| 1 | BODY | PA66 UL94V-0 | ALL COLOR | 1 |
| ITEM | NAME OF PART | MATERIAL | NOTES | Q'TY |
| DWG. | WF. Zhang | DATE | 2022.01.19 | UNITS: MM SHEET: 1 OF 1 Tolerance |
| CHK. | WF. Zhang | DATE | 2023.05.18 | SCALE: NONE 3:1 (:) REV.: B X. ±0.50 |
| APP. | | DATE | | X.X ±0.30 X.XX ±0.10 X° ±1° |
| TITLE: | | FS-HM116 Series "+/-" Slot screw (黄铜脚子) | | |
| PART NO. | | FSHM116xxx11K | | |
| DWG NO. | | FS-H116-B004 | | |



KUNA Contact Technology Co, Ltd
http://www.kunacon.com